

SOB II™

SECOND GENERATION COLLAPSIBLE DEFENSE SYSTEM

The SOB II™ is an evolution of the legendary collapsible defense system pioneered by Special Ops Bunker. It is designed for efficient transport and quick deployment. After all, armor is worthless if you can't take it with you.

Our unique patented design allows the SOB II™ to collapse into a single compact unit, small enough to fit in the trunk of a patrol car for transport or storage. When you need the SOB II™ it can be fully deployed in one minute or less. This makes the SOB II™ ideal for a broad range of tactical deployments.

The SOB II™ is available with modular side panels that can be quickly removed to function as hand-carry shields. The side panels swing back offering added protection on the sides, and also allows the SOB II™ to pass easily through a single-wide doorway. When placed in the forward position the side panels offer a wider overall ballistic protection area.

The SOB™ armor system is certified to meet or exceed NIJ 0108.01 standards. Wheels, axles, and run-flat tires can also withstand multiple gunshots.

Ballistic Options (NIJ 0108.01 Standard)

- Level 3 (7.62 NATO Ball M80 149 gr.)
- Level 3-Plus (7.62x39mm MSC 123 gr, 5.56x45mm M855 62 gr)
- Level 4 (.30 CAL AP M2 7.62x63mm 166 gr)

Total Armor Area

- 11 square feet without side panels
- 21 square feet with side panels

Dimensions

- Deployed: 27" W x 36" D x 74" H
- With Side Panels (Narrow): 27" W x 36" D x 74" H
- With Side Panels (Extended): 42" W x 36" D x 74" H
- Stowed: 27" W x 36" D x 12" H
- Footprint (stowed horizontal): 27" x 36"
- Footprint (stowed vertical): 12" x 27"
- Wheel Diameter: 8"

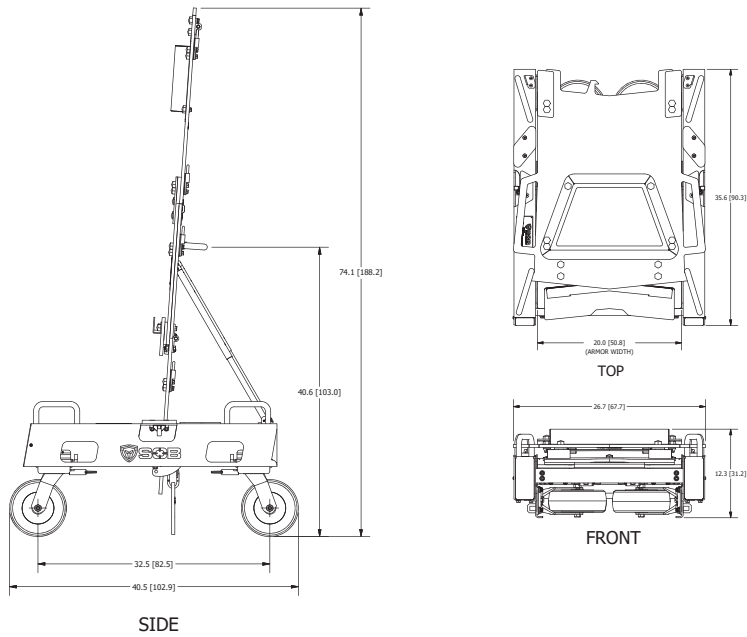
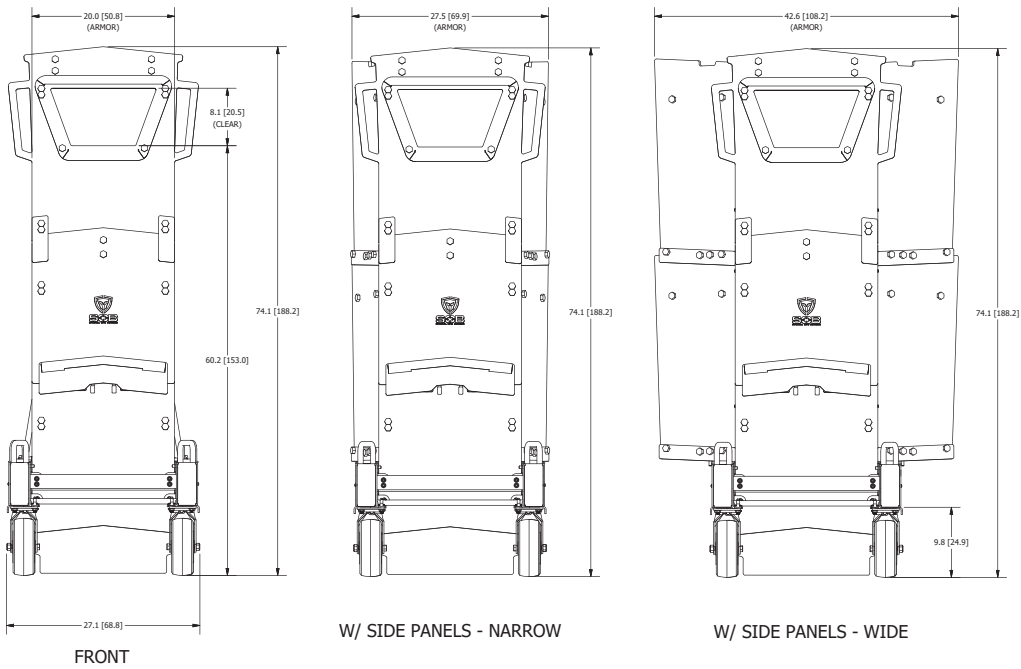
Weight

	Level 3	Level 3-Plus	Level 4
Chassis:	170 lbs (77 kg)	206 lbs (93 kg)	224 lbs (102 kg)
Removeable Viewport:	64 lbs (29 kg)	80 lbs (36 kg)	88 lbs (40 kg)
Chassis + Viewport:	234 lbs (106 kg)	286 lbs (130 kg)	312 lbs (142 kg)
Side Panel:	27 lbs (12 kg)	41 lbs (19 kg)	48 lbs (22 kg)
Complete w/ 4 side panels:	342 lbs (155 kg)	450 lbs (204 kg)	504 lbs (229 kg)

Optional Features

- Set of 4 Side Panels (includes Pelican case)
- Foxfury Taker B50 Shield Light, 1000 Lumens
- Sliding Gun Port





Part Number	Description
SOB2-150-3	SOB II™ Collapsible Defense System (NIJ 0108.01 Level 3)
SOB2-150-3P	SOB II™ Collapsible Defense System (NIJ 0108.01 Level 3-Plus)
SOB2-150-4	SOB II™ Collapsible Defense System (NIJ 0108.01 Level 4)
SOB2-SP-3	Set of 4 Side Panels for SOB II™ Collapsible Defense System (NIJ 0108.01 Level 3)
SOB2-SP-3P	Set of 4 Side Panels for SOB II™ Collapsible Defense System (NIJ 0108.01 Level 3-Plus)
SOB2-SP-4	Set of 4 Side Panels for SOB II™ Collapsible Defense System (NIJ 0108.01 Level 4)
SOB2-SPH-3	Set of 2 Side Panels for SOB II™ Collapsible Defense System (NIJ 0108.01 Level 3)
SOB2-SPH-3P	Set of 2 Side Panels for SOB II™ Collapsible Defense System (NIJ 0108.01 Level 3-Plus)
SOB2-SPH-4	Set of 2 Side Panels for SOB II™ Collapsible Defense System (NIJ 0108.01 Level 4)
SOB-MS-POLICE	Universal Magnetic Signage for SOB™, SOB II™, SOB M1™, SENTRY, SENTRY DOUBLE (POLICE)
SOB-MS-SWAT	Universal Magnetic Signage for SOB™, SOB II™, SOB M1™, SENTRY, SENTRY DOUBLE (SWAT)
SOB-MS-SECURITY	Universal Magnetic Signage for SOB™, SOB II™, SOB M1™, SENTRY, SENTRY DOUBLE (SECURITY)
SOB-MS-CUSTOM	Universal Magnetic Signage for SOB™, SOB II™, SOB M1™, SENTRY, SENTRY DOUBLE (CUSTOM TEXT)
SOB2-TRANS	Transport System for SOB II™ Collapsible Defense System
SOB2-RAMPS	Wheel Ramps kit for SOB II™ Collapsible Defense System
SOB2-FFLIGHT	Foxfury light kit for SOB II™ Collapsible Defense System
SOB2-WHLLLOCK	Wheel Lock kit for SOB II™ Collapsible Defense System
SOB2-BRAKES	Disc brake kit for SOB II™ Collapsible Defense System

